

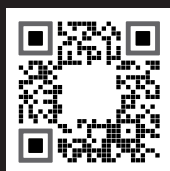

COLOMBO[®]
DESIGN



DKZERO
MINIMAL SOLUTION

DK Zero

magis40



Produced with:
uni_one
TECHNOLOGY

uniform
sistemi per serramenti

www.uniform.it

ENG

ed. 09/2020

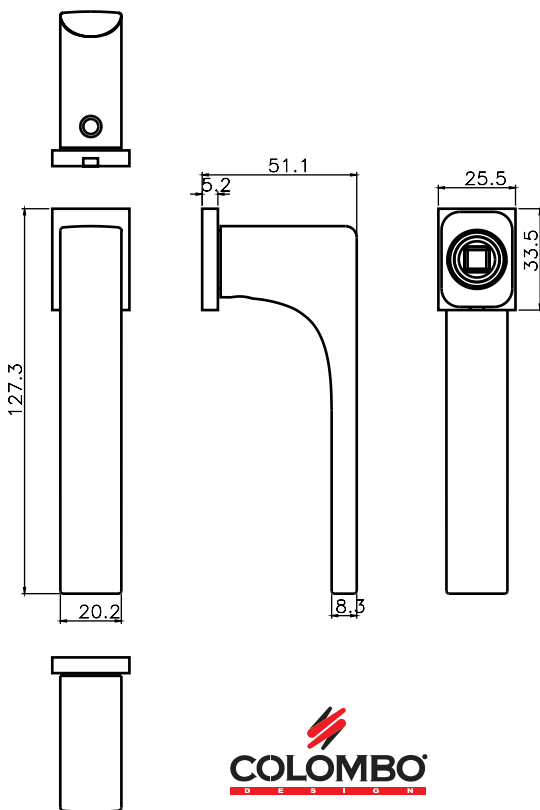


details
are not
for everyone

magis40 DK Zero

For the exclusive magis40 program by uni_one technology, Uniform, in partnership with "Colombo Design", has selected a handle with high technical and aesthetic performance: the magis40 DK Zero handle.

An innovative product with a distinctive stylistic signature style, where the almost total absence of space taken up by the washer further enhances the design of the window, actuated by a micro-movement that keeps the functional and usage characteristics unaltered.

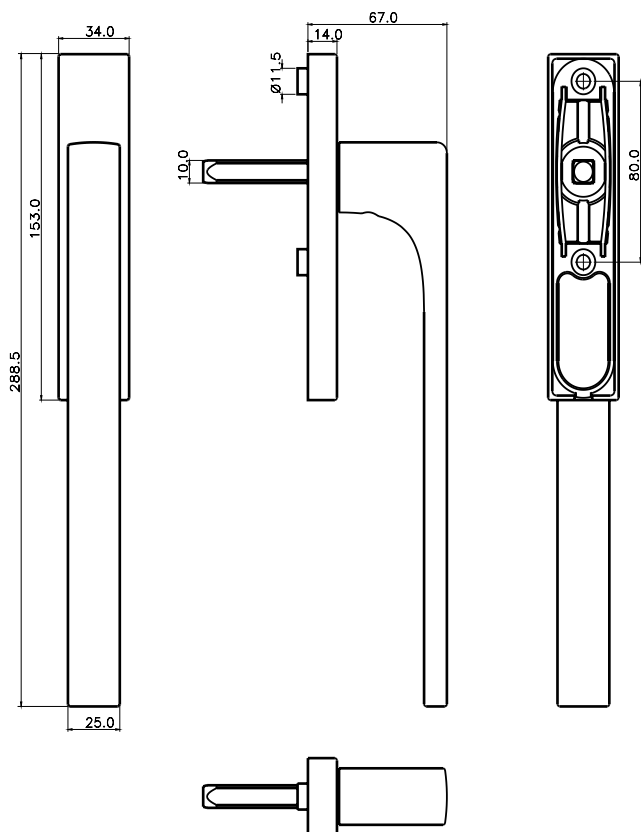
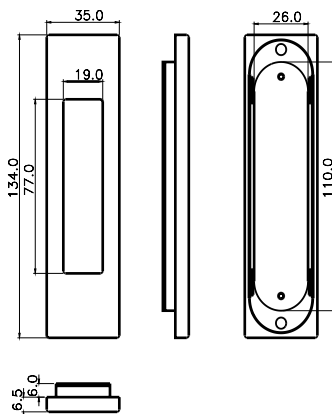


details
are not
for everyone

HS-magis40







DK Zero

The large handle for the "Colombo Design" lift-and-slide window was selected for the magis40 by uni_one technology programme. This is a model exclusively made for Uniform, with a recessed pull handle that perfectly adapts to the reduced thickness of the window frame profile. The large handle for the lift-and-slide window is provided in combination with the magis40 DK Zero window handle in the six available finishes.



Handle finishes

The handles for magis40 DK Zero side-opening and lift-and-slide models are available in the following finishes:

	<p>FS40-CM 30.00€ DK HANDLE FOR HINGED WINDOW</p> <p>FS41-CM 106.00€ IN+OUT PASS-THROUGH HANDLE</p> <p>FS42-CM 89.00€ HS HANDLE + SHELL HANDLE</p>		<p>FS40-BI 27.00€ DK HANDLE FOR HINGED WINDOW</p> <p>FS41-BI 97.00€ IN+OUT PASS-THROUGH HANDLE</p> <p>FS42-BI 74.00€ HS HANDLE + SHELL HANDLE</p>
	<p>FS40-OL 29.00€ DK HANDLE FOR HINGED WINDOW</p> <p>FS42-OL 94.00€ HS HANDLE + SHELL HANDLE</p>		<p>FS40-CR 27.00€ DK HANDLE FOR HINGED WINDOW</p> <p>FS41-CR 99.00€ IN+OUT PASS-THROUGH HANDLE</p> <p>FS42-CR 77.00€ HS HANDLE + SHELL HANDLE</p>
	<p>FS40-GM 34.00€ DK HANDLE FOR HINGED WINDOW</p> <p>FS41-GM 120.00€ IN+OUT PASS-THROUGH HANDLE</p> <p>FS42-GM 112.00€ HS HANDLE + SHELL HANDLE</p>		<p>FS40-CM 27.00€ DK HANDLE FOR HINGED WINDOW</p> <p>FS41-CM 97.00€ IN+OUT PASS-THROUGH HANDLE</p> <p>FS42-CM 74.00€ HS HANDLE + SHELL HANDLE</p>

magis40

Produced with:
uni_one
TECHNOLOGY

www.sistema-uni-one.it

uniform
sistemi per serramenti

via dell'Agricoltura, 36
37046 Minerbe - Verona, Italy
tel +39 0442 669669
uniform@uniform.it
www.uniform.it